



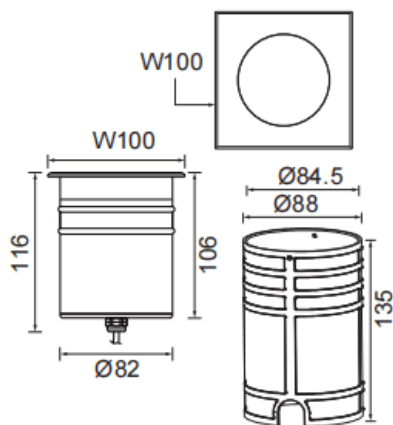
DRIVE ON S

Lavov Recessed Inground from the family DRIVE ON S with a power of 10W and a 55 degrees beam angle. With a total lumen output of 900lm and a luminous efficiency of 72lm/W. Made in Die Cast Aluminium Body, Front Ring stainless Steel, Tempered Glass Cover and finished in Stainless steel colour. IP67 and IK10 degree of protection ON-OFF driver.

Dimensions

Product dimensions (mm) 100x100x116mm

Scheme



| | |
|--------------|-------------------------|
| Item code | 86.OI10.3341.07 |
| Product type | Outdoor |
| Category | Recessed Inground Floor |
| Family | DRIVE ON |
| Subfamily | DRIVE ON S |
| Pictograms | |

| | |
|-----------------------------|-----------------|
| Product | |
| Real power (W) | 15 |
| Real luminous flux (Lm) | 900 |
| Luminous efficiency (Lm/W) | 60 |
| Beam angle (°) | 55 |
| Life time (h) | 50000h L80B10 |
| IP | 67 |
| Electrical class insulation | Class I |
| Colour | Stainless steel |
| Control gear included | Yes |
| Control gear | ON-OFF |
| Light source | CREE 1512 |
| Colour temperature (K) | 3000 |
| Colour consistency (SDCM) | SDCM<3 |
| CRI | 80 |
| IK | IK10 |