



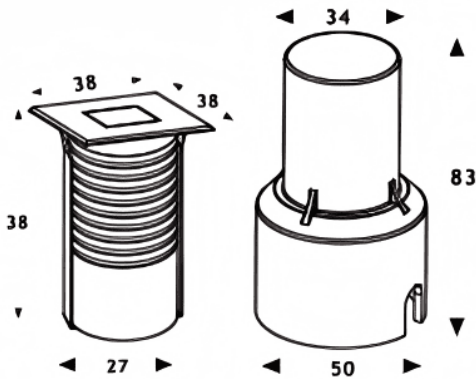
ING-SMINI

Lavov recessed in-ground floor from the family ING-SMINI, with a power of 1,2W and a 40 degrees beam angle. Finished in Stainless steel colour. Dimensions 38x38x65mm. With a total lumen output of 110lm and a luminous efficiency of 91,5lm/W. CCT 3000. Driver Not included . Made in Die Cast Aluminium Body, Front Ring stainless Steel, Tempered Glass Cover. IP67. IK07

Dimensions

Product dimensions (mm) 38x38x65mm

Scheme



Item code	86.OI18.2321.07
Product type	Outdoor
Category	Recessed Inground Floor
Family	ING-SMINI
Pictograms	

Product	
Real power (W)	1.2
Real luminous flux (Lm)	110
Luminous efficiency (Lm/W)	91.5
Beam angle (°)	40
Life time (h)	50000h L80B10
IP	67
Electrical class insulation	Class I
Colour	Stainless steel
Control gear included	No
Control gear	Not included
Light source	1X1,5 Osram
Colour temperature (K)	3000
Colour consistency (SDCM)	SDCM3
CRI	80
IK	IK07