



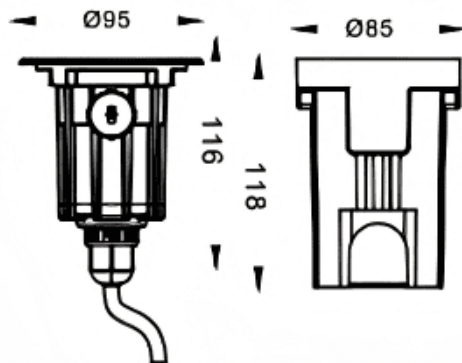
ING-AD

Lavov recessed in-ground floor from the family ING-AD adjustable, with a power of 2.5W and a 8 degrees beam angle. Finished in Stainless steel colour. Dimensions $\varnothing 95 \times 116 \text{mm}$. With a total lumen output of 145lm and a luminous efficiency of 58lm/W. CCT 3000. Driver ON-OFF. Made in Die Cast Aluminium Body, Front Ring stainless Steel, Tempered Glass Cover. IP67. IK10

Dimensions

Product dimensions (mm) $\varnothing 95 \times 116 \text{mm}$

Scheme



Item code	86.OI20.1321.07
Product type	Outdoor
Category	Recessed Inground Floor
Family	ING
Subfamily	ING-AD
Pictograms	

Product	
Real power (W)	2.5
Real luminous flux (Lm)	145
Luminous efficiency (Lm/W)	58
Beam angle (º)	8
Life time (h)	50000h L80B10
IP	67
Electrical class insulation	Class I
Colour	Stainless steel
Control gear included	Yes
Control gear	ON-OFF
Light source	1x2W CREE
Colour temperature (K)	3000
Colour consistency (SDCM)	SDCM<3
CRI	80
IK	IK10