



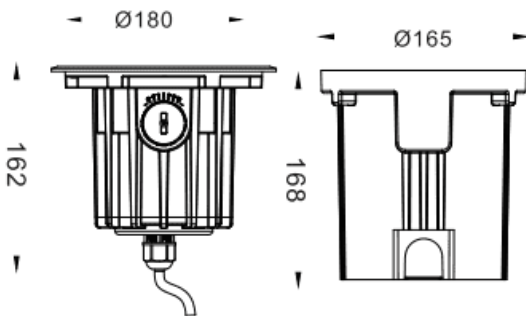
**ING-AD**

Lavov recessed inground floor from the family ING-AD adjustable, with a power of 18,2W and a 3 degrees beam angle. Finished in Stainless steel colour. Dimensions  $\varnothing 180 \times 162 \text{mm}$ . With a total lumen output of 1310lm and a luminous efficiency of 71,9lm/W. CCT 3000. Driver ON-OFF. Made in Die Cast Aluminium Body, Front Ring stainless Steel, Tempered Glass Cover. IP67. IK10

**Dimensions**

Product dimensions (mm)  $\varnothing 180 \times 162 \text{mm}$

**Scheme**



<b>Item code</b>	<b>86.OI20.4311.07</b>
<b>Product type</b>	<b>Outdoor</b>
<b>Category</b>	<b>Recessed Inground Floor</b>
<b>Family</b>	<b>ING</b>
<b>Subfamily</b>	<b>ING-AD</b>
<b>Pictograms</b>	

<b>Product</b>	
<b>Real power (W)</b>	<b>18.2</b>
<b>Real luminous flux (Lm)</b>	<b>1310</b>
<b>Luminous efficiency (Lm/W)</b>	<b>71.90000000000006</b>
<b>Beam angle (°)</b>	<b>3</b>
<b>Life time (h)</b>	<b>50000h L80B10</b>
<b>IP</b>	<b>67</b>
<b>Electrical class insulation</b>	<b>Class I</b>
<b>Colour</b>	<b>Stainless steel</b>
<b>Control gear included</b>	<b>Yes</b>
<b>Control gear</b>	<b>ON-OFF</b>
<b>Light source</b>	<b>9X2W CREE XPE2</b>
<b>Colour temperature (K)</b>	<b>3000</b>
<b>Colour consistency (SDCM)</b>	<b>SDCM3</b>
<b>CRI</b>	<b>80</b>
<b>IK</b>	<b>IK10</b>