



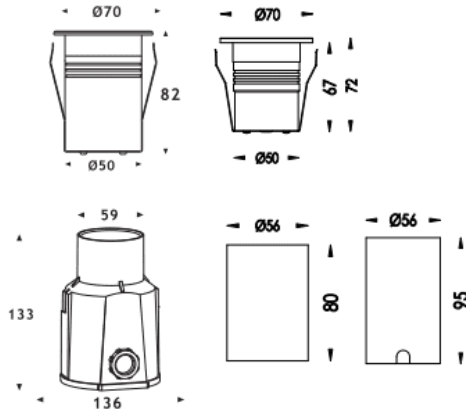
ING-MINI

Lavov recessed inground floor from the family ING-MINI, with a power of 5W and a 15 degrees beam angle. Finished in Stainless steel colour. Dimensions 70x70x82mm. With a total lumen output of 508lm and a luminous efficiency of 101lm/W. CCT 3000. Driver ON-OFF. Made in Die Cast Aluminium Body, Front Ring stainless Steel, Tempered Glass Cover. IP67. IK09

Dimensions

Product dimensions (mm) 70x70x82mm

Scheme



Photometry

Item code	86.OIN1.2311.07
Product type	Outdoor
Category	Recessed Inground Floor
Family	ING
Subfamily	ING-MINI
Pictograms	
Product	
Real power (W)	5
Real luminous flux (Lm)	508
Luminous efficiency (Lm/W)	101
Beam angle (°)	15
Life time (h)	50000h L80B10
IP	67
Electrical class insulation	Class I
Colour	Stainless steel
Control gear included	Yes
Control gear	ON-OFF
Light source	1x5W CREE COB
Colour temperature (K)	3000
Colour consistency (SDCM)	SDCM3
CRI	80
IK	IK09

