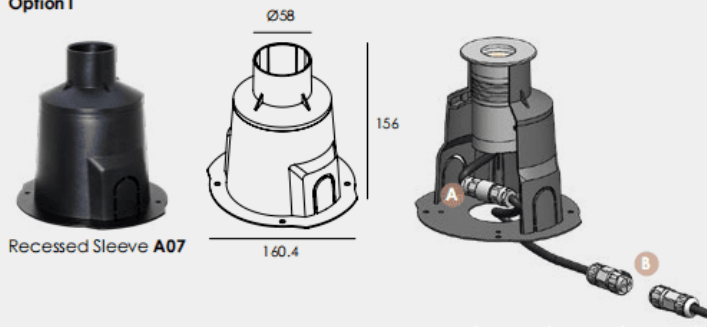




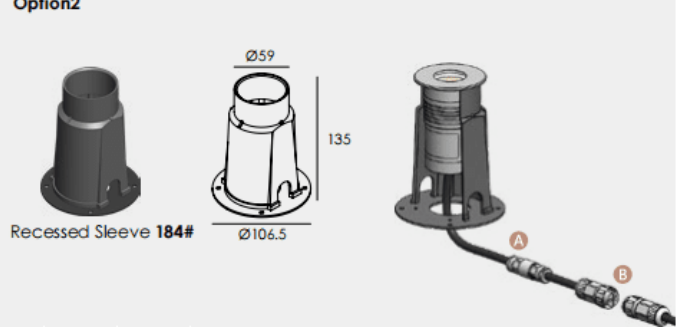
SLEEVE

Option 1



Recessed Sleeve **A07**

Option 2



Recessed Sleeve **184#**