



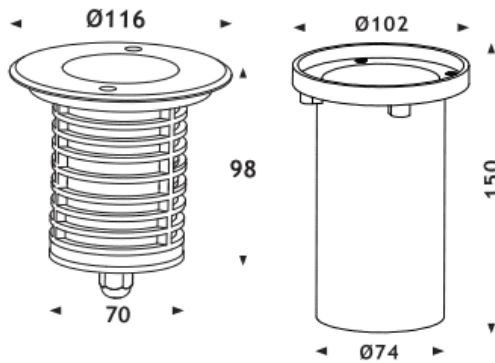
### ING-M

Lavov recessed in-ground floor from the family ING-M, with a power of 13W and a 38 degrees beam angle. Finished in Stainless steel colour. Dimensions  $\varnothing 116 \times 98 \text{mm}$ . With a total lumen output of 1325lm and a luminous efficiency of 101lm/W. CCT 3000. Driver ON-OFF. Made in Die Cast Aluminium Body, Front Ring stainless Steel, Tempered Glass Cover. IP67. IK09

#### Dimensions

Product dimensions (mm)  $\varnothing 116 \times 98 \text{mm}$

#### Scheme



#### Photometry

Item code	86.OIN3.1331.07
Product type	Outdoor
Category	Recessed Inground Floor
Family	ING
Subfamily	ING-M
Pictograms	

<b>Product</b>	
Real power (W)	13
Real luminous flux (Lm)	1325
Luminous efficiency (Lm/W)	101
Beam angle (°)	38
Life time (h)	50000h L80B10
IP	67
Electrical class insulation	Class I
Colour	Stainless steel
Control gear included	Yes
Control gear	ON-OFF
Light source	LED
Type of LED	1x13W CREE COB
Colour temperature (K)	3000
Colour consistency (SDCM)	SDCM3
CRI	80
IK	IK09

