



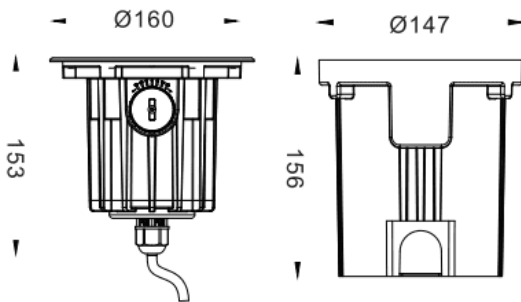
### ING-L

Lavov recessed in-ground floor from the family ING-L, with a power of 13W and a 20 degrees beam angle. Finished in Stainless steel colour. Dimensions Ø160X153mm. With a total lumen output of 1120lm and a luminous efficiency of 86lm/W. CCT 3000. Driver ON-OFF. Made in Die Cast Aluminium Body, Front Ring stainless Steel, Tempered Glass Cover. IP67. IK10

### Dimensions

Product dimensions (mm) **Ø160X153mm**

### Scheme



### Photometry

Item code	<b>86.OIN4.1311.07</b>
Product type	<b>Outdoor</b>
Category	<b>Recessed Inground Floor</b>
Family	<b>ING</b>
Subfamily	<b>ING-L</b>
Pictograms	

<b>Product</b>	
Real power (W)	<b>13</b>
Real luminous flux (Lm)	<b>1120</b>
Luminous efficiency (Lm/W)	<b>86</b>
Beam angle (°)	<b>20</b>
Life time (h)	<b>50000h L80B10</b>
IP	<b>67</b>
Electrical class insulation	<b>Class I</b>
Colour	<b>Stainless steel</b>
Control gear included	<b>Yes</b>
Control gear	<b>ON-OFF</b>
Light source	<b>LED</b>
Type of LED	<b>1x13W CREE COB</b>
Colour temperature (K)	<b>3000</b>
Colour consistency (SDCM)	<b>SDCM3</b>
CRI	<b>80</b>
IK	<b>IK10</b>

