



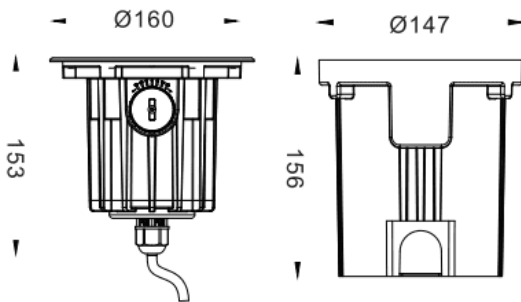
ING-L

Lavov recessed in-ground floor from the family ING-L, with a power of 13W and a 30 degrees beam angle. Finished in Stainless steel colour. Dimensions Ø160X153mm. With a total lumen output of 1120lm and a luminous efficiency of 86lm/W. CCT 3000. Driver ON-OFF. Made in Die Cast Aluminium Body, Front Ring stainless Steel, Tempered Glass Cover. IP67. IK10

Dimensions

Product dimensions (mm) **Ø160X153mm**

Scheme



Photometry

Item code	86.OIN4.1321.07
Product type	Outdoor
Category	Recessed Inground Floor
Family	ING
Subfamily	ING-L
Pictograms	

Product	
Real power (W)	13
Real luminous flux (Lm)	1120
Luminous efficiency (Lm/W)	86
Beam angle (º)	30
Life time (h)	50000h L80B10
IP	67
Electrical class insulation	Class I
Colour	Stainless steel
Control gear included	Yes
Control gear	ON-OFF
Light source	1x13W CREE COB
Colour temperature (K)	3000
Colour consistency (SDCM)	SDCM<3
CRI	80
IK	IK10

