



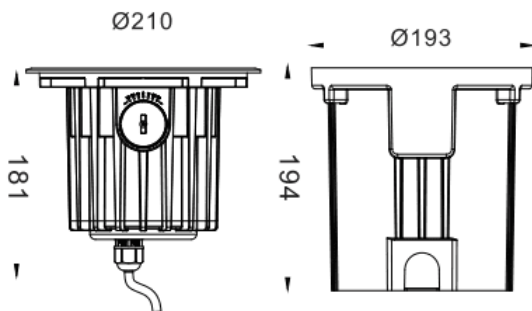
ING-XL

Lavov recessed inground floor from the family ING-XL, with a power of 20W and a 40 degrees beam angle. Finished in Stainless steel colour. Dimensions $\varnothing 210 \times 181 \text{mm}$. With a total lumen output of 1250lm and a luminous efficiency of 62,5lm/W. CCT 3000. Driver ON-OFF. Made in Die Cast Aluminium Body, Front Ring stainless Steel, Tempered Glass Cover. IP67. IK10

Dimensions

Product dimensions (mm) $\varnothing 210 \times 181 \text{mm}$

Scheme



Photometry

Item code	86.OIN5.1331.07					
Product type	Outdoor					
Category	Recessed Inground Floor					
Family	ING					
Subfamily	ING-XL					
Pictograms		50 60 Hz	220 240 V		IK 10	
	CRI 80	SDCM 3	CE	Driver INCL.	On Off	
		50000h L80B10	IP 67			

Product	
Real power (W)	20
Real luminous flux (Lm)	1250
Luminous efficiency (Lm/W)	62.5
Beam angle (°)	40
Life time (h)	50000h L80B10
IP	67
Electrical class insulation	Class I
Colour	Stainless steel
Control gear included	Yes
Control gear	ON-OFF
Light source	1x20W CREE COB
Colour temperature (K)	3000
Colour consistency (SDCM)	SDCM3
CRI	80
IK	IK10

