

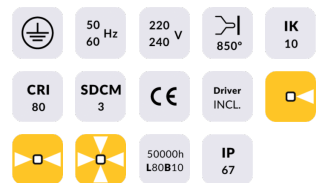


MARK-L

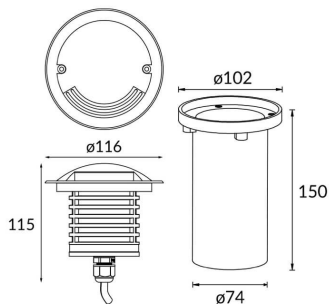
Recessed Inground Floor from the family MARK-L with a power of 4W and an assymetric distribution one emmiting window , made in Die Cast Aluminium Body, and finished in Grey. ON-OFF driver.

Item code	86.OIN6.1331.03
Product type	Outdoor
Category	Recessed Inground Floor
Family	MARK
Subfamily	MARK-L

Pictograms



Scheme



Product

Real power (W)	4
Beam angle (°)	assymetric
Life time (h)	50000h L80B10
IP	67
Electrical class insulation	Class I
Colour	Grey
Control gear included	Yes
Control gear	ON-OFF
Light source	6x0.5W SMD
Colour temperature (K)	3000
Colour consistency (SDCM)	SDCM<3
CRI	80
IK	10

Photometry

