



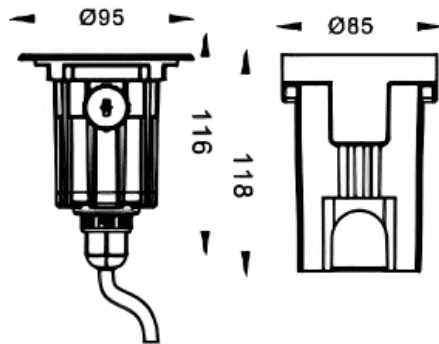
ING-ASSY

Lavov recessed inground floor from the family ING-ASSY, with a power of 3.5W and a Asymmetric 27° degrees beam angle. Finished in Stainless steel colour. Dimensions $\varnothing 95 \times 116 \text{mm}$. With a total lumen output of 250lm and a luminous efficiency of 71.40000000000006lm/W. CCT 3000. Driver On-Off. Made in Die cast aluminium body, stainless steel front ring and tempered glass cover. IP67. IK09

Dimensions

Product dimensions (mm) $\varnothing 95 \times 116 \text{mm}$

Scheme



Photometry

Item code	86.OIN6.1351.07
Product type	Outdoor
Category	Recessed Inground Floor
Family	ING-ASSY
Pictograms	

Product	
Real power (W)	3.5
Real luminous flux (Lm)	250
Luminous efficiency (Lm/W)	71.40000000000006
Beam angle (º)	Asymmetric 27°
Life time (h)	50000h L80B10
IP	67
Electrical class insulation	Class I
Colour	Stainless steel
Control gear included	yes
Control gear	On-Off
Flicker Free	Yes
Light source	1x5W CREE COB
Colour temperature (K)	3000
Colour consistency (SDCM)	<5SDCM
CRI	80
IK	IK09

