

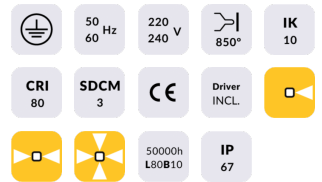


### MARK-L

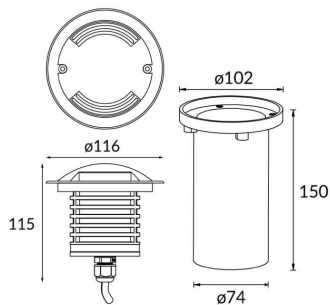
Recessed Inground Floor from the family MARK-L with a power of 4W and an assymetric distribution two emmiting window , made in Die Cast Aluminium Body, and finished in Grey. ON-OFF driver.

<b>Item code</b>	<b>86.OIN6.2331.03</b>
<b>Product type</b>	<b>Outdoor</b>
<b>Category</b>	<b>Recessed Inground Floor</b>
<b>Family</b>	<b>MARK</b>
<b>Subfamily</b>	<b>MARK-L</b>

### Pictograms



### Scheme



### Product

<b>Real power (W)</b>	<b>4</b>
<b>Beam angle (°)</b>	<b>assymetric</b>
<b>Life time (h)</b>	<b>50000h L80B10</b>
<b>IP</b>	<b>67</b>
<b>Electrical class insulation</b>	<b>Class I</b>
<b>Colour</b>	<b>Grey</b>
<b>Control gear included</b>	<b>Yes</b>
<b>Control gear</b>	<b>ON-OFF</b>
<b>Light source</b>	<b>6x0.5W SMD</b>
<b>Colour temperature (K)</b>	<b>3000</b>
<b>Colour consistency (SDCM)</b>	<b>SDCM&lt;3</b>
<b>CRI</b>	<b>80</b>
<b>IK</b>	<b>10</b>

### Photometry

