

**MARK-L**

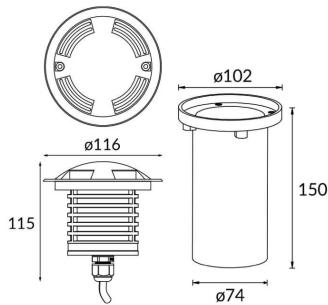
Recessed Inground Floor from the family MARK-L with a power of 4W and an assymetric distribution four emmiting window , made in Die Cast Aluminium Body, and finished in Grey. ON-OFF driver.

<b>Item code</b>	<b>86.OIN6.3331.03</b>
<b>Product type</b>	<b>Outdoor</b>
<b>Category</b>	<b>Recessed Inground Floor</b>
<b>Family</b>	<b>MARK</b>
<b>Subfamily</b>	<b>MARK-L</b>
<b>Pictograms</b>	

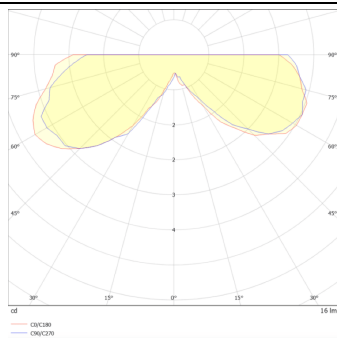
**Product**

<b>Real power (W)</b>	<b>Die Cast Aluminium Body, Front Ring stainless Steel, Tempered Glass Cover</b>
<b>Real luminous flux (Lm)</b>	<b>Die Cast Aluminium Body, Front Ring stainless Steel, Tempered Glass Cover</b>
<b>Luminous efficiency (Lm/W)</b>	<b>Die Cast Aluminium Body, Front Ring stainless Steel, Tempered Glass Cover</b>
<b>Beam angle (°)</b>	<b>Die Cast Aluminium Body, Front Ring stainless Steel, Tempered Glass Cover</b>
<b>Life time (h)</b>	<b>Die Cast Aluminium Body, Front Ring stainless Steel, Tempered Glass Cover</b>
<b>IP</b>	<b>Die Cast Aluminium Body, Front Ring stainless Steel, Tempered Glass Cover</b>
<b>Electrical class insulation</b>	<b>Die Cast Aluminium Body, Front Ring stainless Steel, Tempered Glass Cover</b>
<b>Operating temperature</b>	<b>Die Cast Aluminium Body, Front Ring stainless Steel, Tempered Glass Cover</b>
<b>Electrical feeding</b>	<b>Die Cast Aluminium Body, Front Ring stainless Steel, Tempered Glass Cover</b>
<b>Colour</b>	<b>Grey</b>
<b>Control gear included</b>	<b>Yes</b>
<b>Control gear</b>	<b>ON-OFF</b>
<b>Light source</b>	<b>6x0.5W SMD</b>
<b>Colour temperature (K)</b>	<b>3000</b>
<b>Colour consistency (SDCM)</b>	<b>SDCM&lt;3</b>

**Scheme**



**Photometry**



---

<b>CRI</b>	<b>80</b>
<b>IK</b>	<b>10</b>

---