



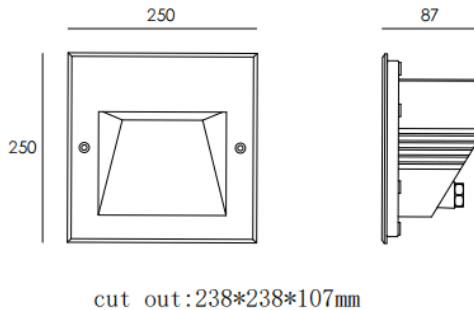
WINDOW S

Lavov recessed fixture from the family WINDOW S with a power of 24.4W and a assymmetric beam angle. Finished in Black colour. Dimensions 250x250x87mm.. With a total lumen output of 1200lm and a luminous efficiency of 49.18lm/W. CCT 3000K. Driver ON-OFF. Made in Die Cast Aluminium Body, Front Cover Tempered Glass. .IP65. IK05

Dimensions

Product dimensions (mm) 250x250x87mm

Scheme



Photometry

Item code	86.OR01.7331.02
Product type	Outdoor
Category	Recessed Wall & Ceiling
Family	WINDOW
Subfamily	WINDOW S
Pictograms	

Product	
Real power (W)	24.4
Real luminous flux (Lm)	1200
Luminous efficiency (Lm/W)	49.18
Beam angle (°)	assymmetric
Life time (h)	50000h L80B10
IP	IP65
Colour	Black
Control gear included	Yes
Control gear	ON-OFF
Light source	LED
Type of LED	SMD3030 type LED
Colour temperature (K)	3000
Colour consistency (SDCM)	SDCM3
CRI	90
IK	IK05

