


BEAM MODULES

Lavov Spike spot light from the family BEAM with a power of 84 W and a beam angle of 25 degrees with a total lumen output of 2000 lumen and an efficiency of 23.81lm/W. with a CCT of RGBW 4 in 1. Made in die cast aluminum with a front tempered glass, finished in Black color. Not included driver.

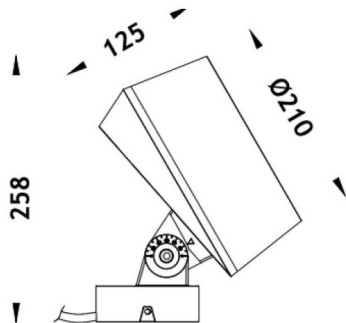
Item code	86.OS02.3031.02
Product type	Outdoor
Category	Spike Spot Light
Family	BEAM
Subfamily	BEAM MODULES
Pictograms	



Product	
Real power (W)	84
Real luminous flux (Lm)	2000
Luminous efficiency (Lm/W)	24
Beam angle (°)	24
Life time (h)	50000h L70B10
IP	66
Electrical class insulation	Class I
Colour	Black
Chip Brand	Osram
Control gear included	No
Control gear	DRIVER EXCL
Light source	LED
Type of LED	24x3.5W OSRAM RGBW 4 in1
Average life time (h)	50000h L70B10
Colour temperature (K)	RGBW 4 in 1
Colour consistency (SDCM)	SDCM3
CRI	80
IK	IK05

Dimensions

Product dimensions (mm)	210(Dia)X125(H)mm
-------------------------	-------------------

Scheme


Photometry

