




## BEAM MODULES

Lavov Spike spot light from the family BEAM with a power of 84 W and a beam angle of 25 degrees with a total lumen output of 2000 lumen and an efficiency of 23,81lm/W. with a CCT of RGBW 4 in 1. Made in die cast aluminum with a front tempered glass, finished in Grey color. Not included driver.

<b>Item code</b>	<b>86.OS02.3031.03</b>
<b>Product type</b>	<b>Outdoor</b>
<b>Category</b>	<b>Spike Spot Light</b>
<b>Family</b>	<b>BEAM</b>
<b>Subfamily</b>	<b>BEAM MODULES</b>
<b>Pictograms</b>	

<b>Product</b>	
<b>Real power (W)</b>	<b>84</b>
<b>Real luminous flux (Lm)</b>	<b>2000</b>
<b>Luminous efficiency (Lm/W)</b>	<b>24</b>
<b>Beam angle (°)</b>	<b>24</b>
<b>Life time (h)</b>	<b>50000h L70B10</b>
<b>IP</b>	<b>66</b>
<b>Electrical class insulation</b>	<b>Class I</b>
<b>Colour</b>	<b>Grey</b>
<b>Chip Brand</b>	<b>Osram</b>
<b>Control gear included</b>	<b>No</b>
<b>Control gear</b>	<b>DRIVER EXCL</b>
<b>Light source</b>	<b>LED</b>
<b>Type of LED</b>	<b>24x3.5W OSRAM RGBW 4 in 1</b>
<b>Average life time (h)</b>	<b>50000h L70B10</b>
<b>Colour temperature (K)</b>	<b>RGBW 4 in 1</b>
<b>Colour consistency (SDCM)</b>	<b>SDCM3</b>
<b>CRI</b>	<b>80</b>

IK

IK05



---

---

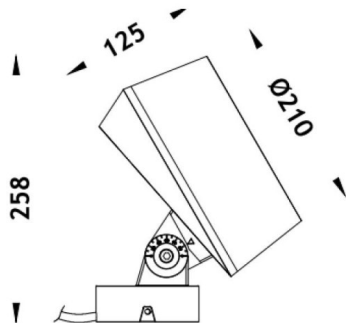
**Dimensions**

Product dimensions (mm)      210(Dia)X125(H)mm

---

---

**Scheme**



---

---

**Photometry**

