




**BEAM MODULES**

Lavov Spike spot light from the family BEAM with a power of 84 W and a beam angle of 40 degrees with a total lumen output of 2000 lumen and an efficiency of 23,81lm/W. with a CCT of RGBW 4 in 1. Made in die cast aluminum with a front tempered glass, finished in Grey color. Not included driver.

<b>Item code</b>	<b>86.OS02.3041.03</b>
<b>Product type</b>	<b>Outdoor</b>
<b>Category</b>	<b>Spike Spot Light</b>
<b>Family</b>	<b>BEAM</b>
<b>Subfamily</b>	<b>BEAM MODULES</b>
<b>Pictograms</b>	



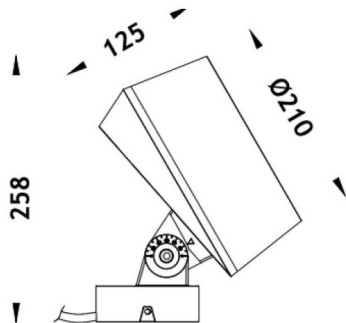
<b>Product</b>	
Real power (W)	84
Real luminous flux (Lm)	2000
Luminous efficiency (Lm/W)	24
Beam angle (°)	38
Life time (h)	50000h L70B10
IP	66
Electrical class insulation	Class I
Colour	Grey
Chip Brand	Osram
Control gear included	No
Control gear	DRIVER EXCL
Light source	LED
Type of LED	24x3.5W OSRAM RGBW 4 in1
Average life time (h)	50000h L70B10
Colour temperature (K)	RGBW 4 in 1
Colour consistency (SDCM)	SDCM3
CRI	80
IK	IK05

---

**Dimensions**

Product dimensions (mm)	210(Dia)X125(H)mm
-------------------------	-------------------

---

**Scheme**



---

**Photometry**

