

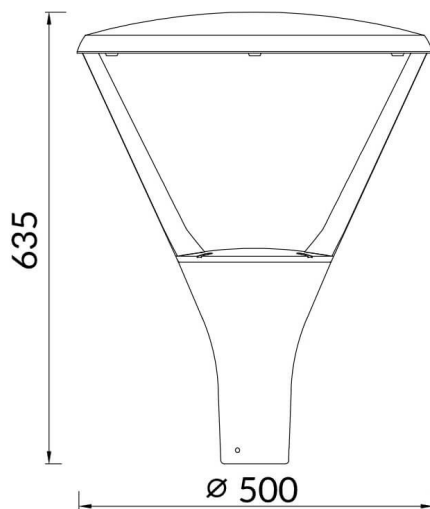


### CIRCUS

Lavov Street light from the family CIRCUS with a power of 40W and an optics T1/T90 degrees . CCT 4000K. With a total lumen output of 5200lm and a luminous efficiency of 135lm/W.DALI driver. Made in die cast aluminum and finished in Grey color. IP66 and IK IK09 degree of protection.

<b>Item code</b>	<b>86.OS03.1473.03</b>
<b>Product type</b>	<b>Outdoor</b>
<b>Category</b>	<b>Street lights</b>
<b>Family</b>	<b>CIRCUS</b>
<b>Pictograms</b>	

### Scheme



<b>Product</b>	
<b>Real power (W)</b>	<b>40</b>
<b>Real luminous flux (Lm)</b>	<b>5200</b>
<b>Luminous efficiency (Lm/W)</b>	<b>135</b>
<b>Beam angle (°)</b>	<b>T1/T90</b>
<b>Life time (h)</b>	<b>50000h L70B10</b>
<b>IP</b>	<b>66</b>
<b>Electrical class insulation</b>	<b>Class I</b>
<b>Colour</b>	<b>Grey</b>
<b>Control gear included</b>	<b>Yes</b>
<b>Control gear</b>	<b>DALI</b>
<b>Light source</b>	<b>LED</b>
<b>Type of LED</b>	<b>PHILIPS 5050 With SPD</b>
<b>Colour temperature (K)</b>	<b>4000</b>
<b>Colour consistency (SDCM)</b>	<b>SDCM5</b>
<b>CRI</b>	<b>≥70</b>
<b>IK</b>	<b>IK09</b>