



SPYKE

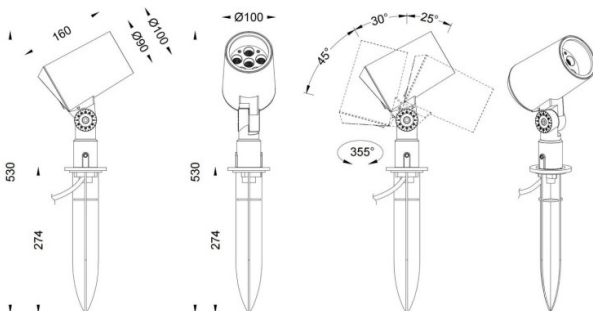
Lavov Spike spot light from the family Spyke with a power of 18 W and a beam angle of 25 degrees with a total lumen output of 1200 lumen and an efficiency of 66,67lm/W. with a CCT of 3000K. Made in die cast aluminum with a front tempered glass, finished in Black color. On-Off driver.

Item code	86.OS03.3331.02
Product type	Outdoor
Category	Spike Spot Light
Family	SPYKE
Pictograms	

Dimensions

Product dimensions (mm) 100(Dia)X160(H)M

Scheme



Product

Real power (W)	18
Real luminous flux (Lm)	1200
Luminous efficiency (Lm/W)	66.6666666666667
Beam angle (°)	25
Life time (h)	50000h L70B10
IP	66
Electrical class insulation	Class II
Colour	Black
Chip Brand	Osram
Control gear included	Yes
Control gear	ON-OFF
Light source	LED
Type of LED	6X3W OSRAM
Average life time (h)	50000h L70B10
Colour temperature (K)	3000
Colour consistency (SDCM)	SDCM<3
CRI	80
IK	IK04