



**SPYKE**

Lavov Spike spot light from the family Spyke with a power of 18 W and a beam angle of 60 degrees with a total lumen output of 1200 lumen and an efficiency of 66,67 lm/W. with a CCT of 3000K. Made in die cast aluminum with a front tempered glass, finished in Grey color. On-Off driver.

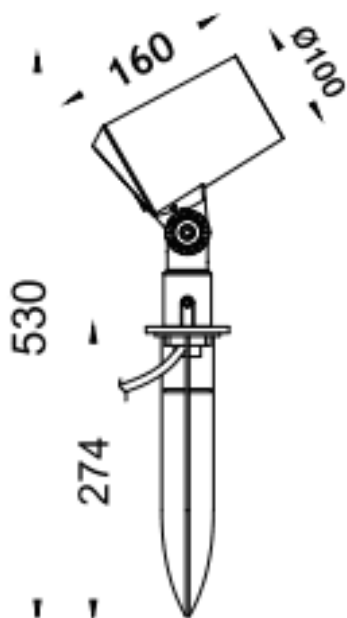
<b>Item code</b>	<b>86.OS03.3351.03</b>
<b>Product type</b>	<b>Outdoor</b>
<b>Category</b>	<b>Spike Spot Light</b>
<b>Family</b>	<b>SPYKE</b>

**Pictograms**


**Dimensions**

**Product dimensions (mm)**      **100(Dia)X160(H)M**

**Scheme**



<b>Product</b>	
<b>Real power (W)</b>	<b>18</b>
<b>Real luminous flux (Lm)</b>	<b>1200</b>
<b>Luminous efficiency (Lm/W)</b>	<b>66.666666666666998</b>
<b>Beam angle (°)</b>	<b>60</b>
<b>Life time (h)</b>	<b>50000h L70B10</b>
<b>IP</b>	<b>66</b>
<b>Electrical class insulation</b>	<b>Class II</b>
<b>Colour</b>	<b>Grey</b>
<b>Chip Brand</b>	<b>Osram</b>
<b>Control gear included</b>	<b>Yes</b>
<b>Control gear</b>	<b>ON-OFF</b>
<b>Light source</b>	<b>LED</b>
<b>Type of LED</b>	<b>6X3W OSRAM</b>
<b>Average life time (h)</b>	<b>50000h L70B10</b>
<b>Colour temperature (K)</b>	<b>3000</b>
<b>Colour consistency (SDCM)</b>	<b>SDCM3</b>
<b>CRI</b>	<b>80</b>
<b>IK</b>	<b>IK04</b>