



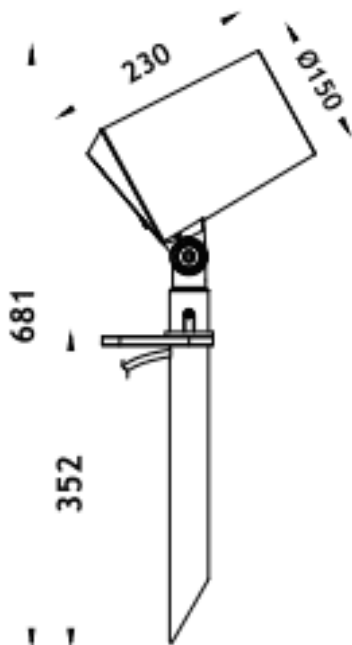
### SPYKE


Lavov Spike spot light from the family Spyke with a power of 42 W and a beam angle of 25 degrees with a total lumen output of 2520 lumen and an efficiency of 60lm/W. with a CCT of 3000K. Made in die cast aluminum with a front tempered glass, finished in Grey color. On-Off driver.

#### Dimensions

Product dimensions (mm) 100(Dia)X160(H)M

#### Scheme



Item code	86.OS03.4331.03
Product type	Outdoor
Category	Spike Spot Light
Family	SPYKE
Pictograms	

Product	
Real power (W)	42
Real luminous flux (Lm)	2520
Luminous efficiency (Lm/W)	60
Beam angle (°)	25
Life time (h)	50000h L70B10
IP	66
Electrical class insulation	Class II
Colour	Grey
Chip Brand	Osram
Control gear included	Yes
Control gear	ON-OFF
Light source	LED
Type of LED	6X3W OSRAM
Average life time (h)	50000h L70B10
Colour temperature (K)	3000
Colour consistency (SDCM)	SDCM<3
CRI	80
IK	IK04