



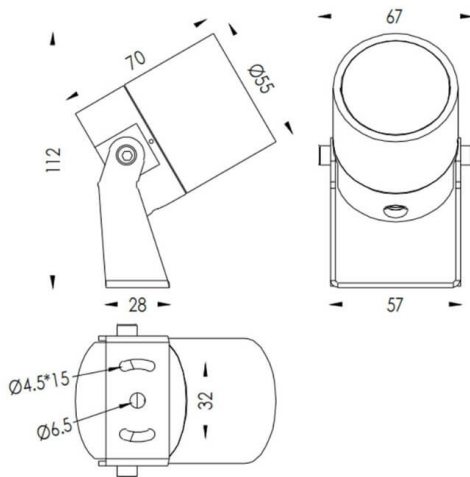
### TUBE0-R

Lavov spike spot light from the family TUBE0-R with a power of 6W and a 55 degrees beam angle. With a total lumen output of 454lm and a luminous efficiency of 75.67lm/W. Made in Die Cast Aluminum body, steel bracket and Tempered Glass cover and finished in Black colour. IP67 and IK10 degree of protection ON-OFF driver.

#### Dimensions

Product dimensions (mm) 55(Dia)X170(H)mm

#### Scheme



|              |                  |
|--------------|------------------|
| Item code    | 86.OS04.2351.02  |
| Product type | Outdoor          |
| Category     | Spike Spot Light |
| Family       | TUBE0-R          |
| Subfamily    | TUBE0-R          |
| Pictograms   |                  |

|                             |                |
|-----------------------------|----------------|
| <b>Product</b>              |                |
| Real power (W)              | 6              |
| Real luminous flux (Lm)     | 454            |
| Luminous efficiency (Lm/W)  | 75.67          |
| Beam angle (&ordm;)         | 55             |
| Life time (h)               | 50000h L70B10  |
| IP                          | 67             |
| Electrical class insulation | Class II       |
| Colour                      | Black          |
| Control gear included       | Yes            |
| Control gear                | ON-OFF         |
| Light source                | LED            |
| Type of LED                 | 1x6W CREE 1304 |
| Average life time (h)       | 50000h L70B10  |
| Colour temperature (K)      | 3000           |
| Colour consistency (SDCM)   | SDCM<3         |
| CRI                         | 80             |
| IK                          | IK10           |