



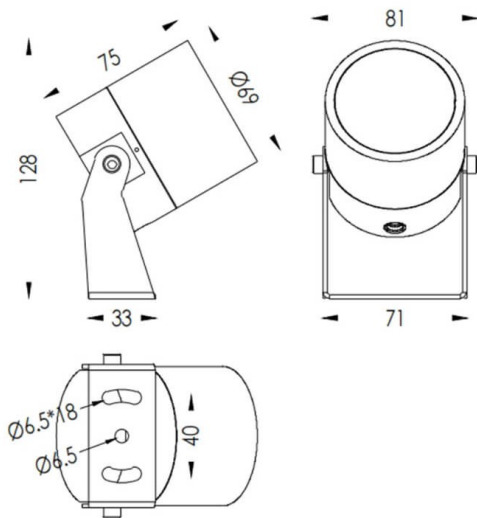
TUBEO-R

Lavov spike spot light from the family TUBEO-R with a power of 10W and a 12 degrees beam angle. With a total lumen output of 900lm and a luminous efficiency of 90lm/W. Made in Die Cast Aluminum body, steel bracket and Tempered Glass cover and finished in White colour. IP67 and IK10 degree of protection ON-OFF driver.

Dimensions

Product dimensions (mm) 69(Dia)X75(H)mm

Scheme



Item code	86.OS04.3321.01
Product type	Outdoor
Category	Spike Spot Light
Family	TUBEO-R
Subfamily	TUBEO-R
Pictograms	

Product	
Real power (W)	10
Real luminous flux (Lm)	900
Luminous efficiency (Lm/W)	90
Beam angle (°)	12
Life time (h)	50000h L70B10
IP	67
Electrical class insulation	Class II
Colour	White
Control gear included	Yes
Control gear	ON-OFF
Light source	LED
Type of LED	1x10W CREE 1512
Average life time (h)	50000h L70B10
Colour temperature (K)	3000
Colour consistency (SDCM)	SDCM<3
CRI	80
IK	IK10