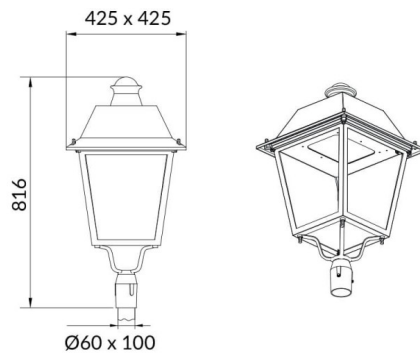




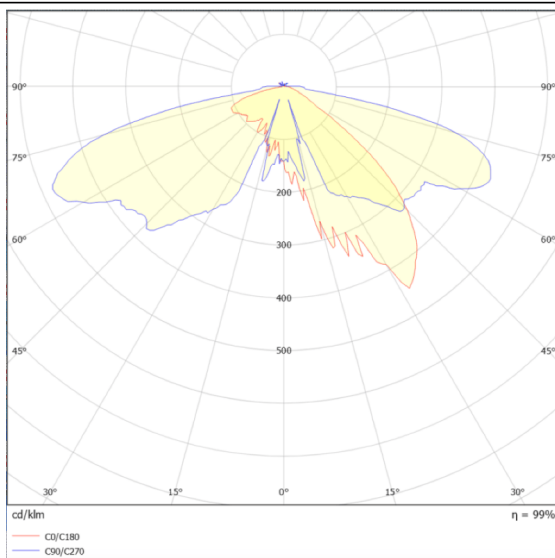
VILA P60

Lavov Street Light from the family VILA with a power of 30W and a lighting distribution type T2A with a real lumen output of 3218,77lm, and an efficiency of 107,29 lm/W, CRI ≥ 70 with a ON-OFF driver, made in aluminium Body, Front Tempered Glass and finished in Black color. Post mounted. Post diam. 60mm.

Scheme



Photometry



| | |
|--------------|-----------------|
| Item code | 86.OS06.1321.02 |
| Product type | Outdoor |
| Category | Street lights |
| Family | VILA |
| Subfamily | VILA P60 |
| Pictograms | |

| | |
|----------------------------|--------------------|
| Product | |
| Real power (W) | 30 |
| Real luminous flux (Lm) | 3218.77 |
| Luminous efficiency (Lm/W) | 107.29233333333001 |
| Colour | black |
| Control gear included | yes |
| Control gear | ON-OFF |
| Light source | LED |
| Type of LED | PHILIPS 5050 |
| Average life time (h) | 50000h L70B11 |
| Colour temperature (K) | 3000K |
| Colour consistency (SDCM) | 5 |
| CRI | >80 |
| IK | IK08 |