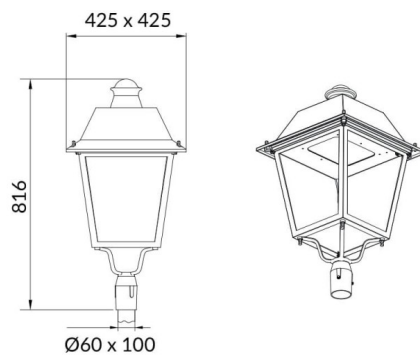




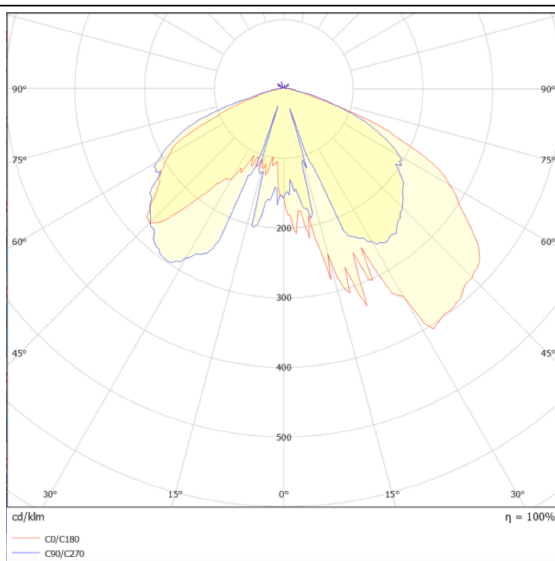
### VILA P60

Lavov Street Light from the family VILA with a power of 30W and a lighting distribution type T4A with a real lumen output of 3300,62lm, and an efficiency of 110,02 lm/W, CRI  $\geq 70$  with an ON-OFF driver, made in aluminium Body, Front Tempered Glass and finished in Black color. Post mounted. Post diam. 60mm.

### Scheme



### Photometry



Item code	86.OS06.1341.02
Product type	Outdoor
Category	Street lights
Family	VILA
Subfamily	VILA P60
Pictograms	

Product	
Real power (W)	30
Real luminous flux (Lm)	3300.62
Luminous efficiency (Lm/W)	110.02066666667
Colour	black
Control gear included	yes
Control gear	ON-OFF
Light source	LED
Type of LED	PHILIPS 5050
Average life time (h)	50000h L70B13
Colour temperature (K)	3000K
Colour consistency (SDCM)	5
CRI	>80
IK	IK08