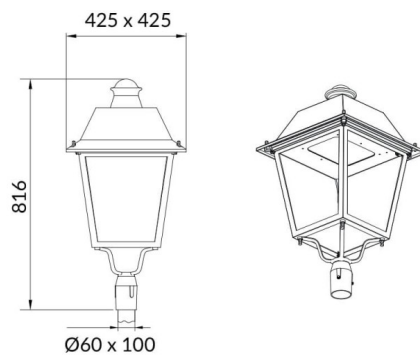




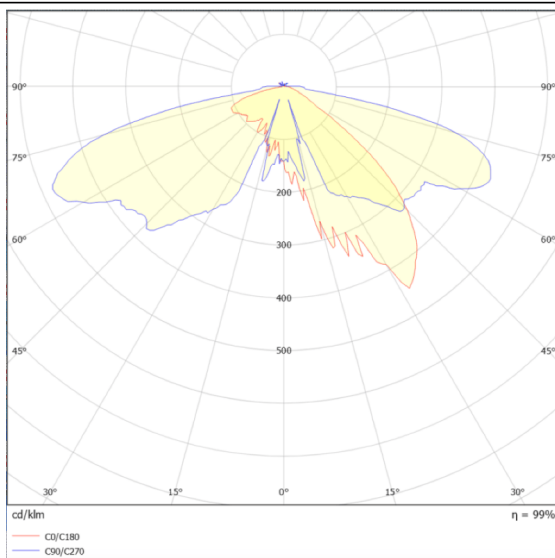
### VILA P60

Lavov Street Light from the family VILA with a power of 40W and a lighting distribution type T2A with a real lumen output of 3891,13lm, and an efficiency of 97,27 lm/W, CRI  $\geq 70$  with a ON-OFF driver, made in aluminium Body, Front Tempered Glass and finished in Black color. Post mounted. Post diam. 60mm.

### Scheme



### Photometry



Item code	86.OS06.2321.02
Product type	Outdoor
Category	Street lights
Family	VILA
Subfamily	VILA P60
Pictograms	

Product	
Real power (W)	40
Real luminous flux (Lm)	3891.13
Luminous efficiency (Lm/W)	97.27825
Colour	black
Control gear included	yes
Control gear	ON-OFF
Light source	LED
Type of LED	PHILIPS 5050
Average life time (h)	50000h L70B15
Colour temperature (K)	3000K
Colour consistency (SDCM)	5
CRI	>80
IK	IK08