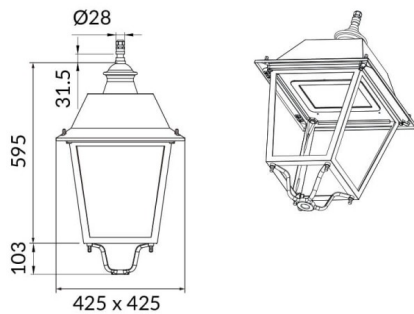




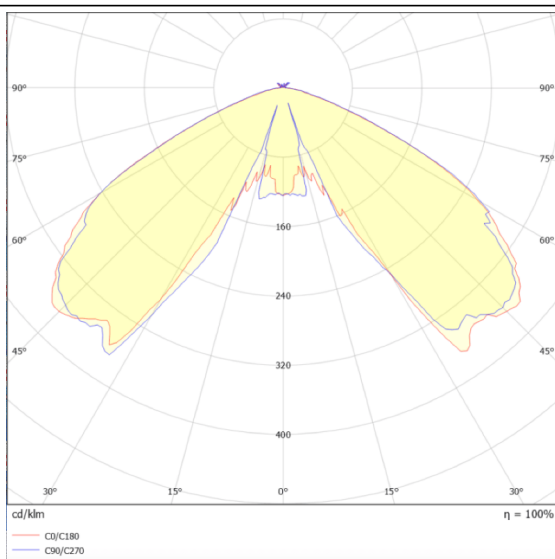
### VILA W

Lavov Street Light from the family VILA with a power of 40W and a lighting distribution type T1 with a real lumen output of 4131,68 lm, and an efficiency of 103,29 lm/W, CRI  $\geq 70$  with a ON-OFF driver, made in aluminium Body, Front Tempered Glass and finished in Black color. Wall mounted.

### Scheme



### Photometry



|              |                 |
|--------------|-----------------|
| Item code    | 86.OS07.2311.02 |
| Product type | Outdoor         |
| Category     | Street lights   |
| Family       | VILA            |
| Subfamily    | VILA W          |
| Pictograms   |                 |

|                            |               |
|----------------------------|---------------|
| Product                    |               |
| Real power (W)             | 40            |
| Real luminous flux (Lm)    | 4131.68       |
| Luminous efficiency (Lm/W) | 103.292       |
| Colour                     | black         |
| Control gear included      | yes           |
| Control gear               | ON-OFF        |
| Light source               | LED           |
| Type of LED                | PHILIPS 5050  |
| Average life time (h)      | 50000h L70B30 |
| Colour temperature (K)     | 3000K         |
| Colour consistency (SDCM)  | 5             |
| CRI                        | >80           |
| IK                         | IK08          |