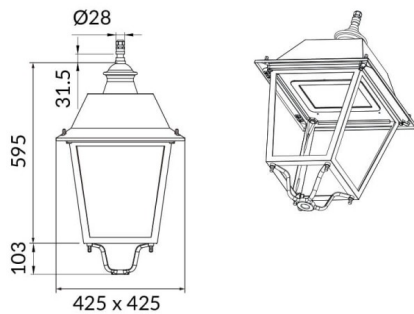




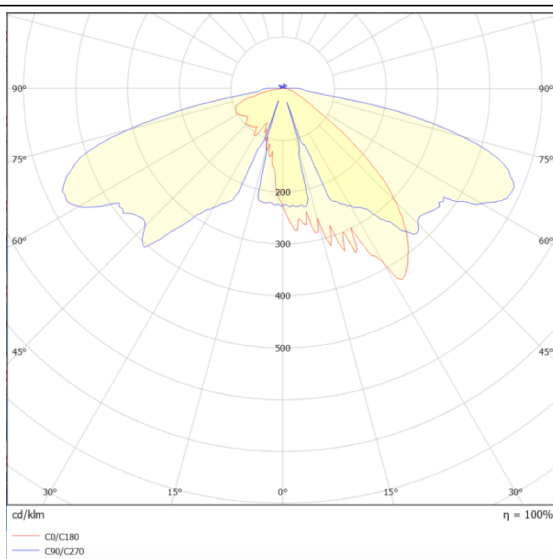
### VILA W

Lavov Street Light from the family VILA with a power of 80W and a lighting distribution type T2A with a real lumen output of 9013,77 lm, and an efficiency of 112,67 lm/W, CRI  $\geq 70$  with a ON-OFF driver, made in aluminium Body, Front Tempered Glass and finished in Black color. Wall mounted.

### Scheme



### Photometry



Item code	86.OS07.4321.02
Product type	Outdoor
Category	Street lights
Family	VILA
Subfamily	VILA W
Pictograms	

Product	
Real power (W)	80
Real luminous flux (Lm)	9013.77
Luminous efficiency (Lm/W)	112.67212499999999
Colour	black
Control gear included	yes
Control gear	ON-OFF
Light source	LED
Type of LED	PHILIPS 5050
Average life time (h)	50000h L70B39
Colour temperature (K)	3000K
Colour consistency (SDCM)	5
CRI	>80
IK	IK08