



Vialight II

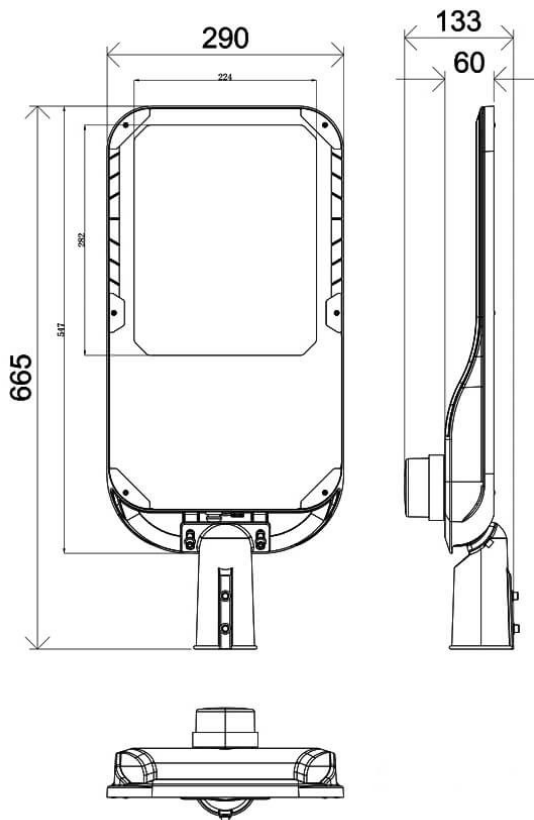
Lavov Street light from the family Vialight II with a power of 240W and an optics T2 (150°X75°) degrees . CCT 4000K. With a total lumen output of 38400lm and a luminous efficiency of 160lm/W.DALI driver. Made in die cast aluminum and finished in Grey color. IP65 and IK IK08 degree of protection.

Item code	86.OS11.B473.03
Product type	Outdoor
Category	Street lights
Family	Vialight II
Pictograms	

Dimensions

Product dimensions (mm) **290x665x85mm**

Scheme



Product	
Real power (W)	240
Real luminous flux (Lm)	38400
Luminous efficiency (Lm/W)	160
Beam angle (°)	T2 (150°X75°)
Life time (h)	50000h L70B10
IP	65
Electrical class insulation	Class I
Colour	Grey
Control gear included	Yes
Control gear	DALI
Light source	LED
Type of LED	Sanan / SMD3030
Average life time (h)	Up to 100,000hrs LM70,Ta 25°C
Colour temperature (K)	4000
Colour consistency (SDCM)	SDCM6
CRI	>70
IK	IK08