




Voyager II

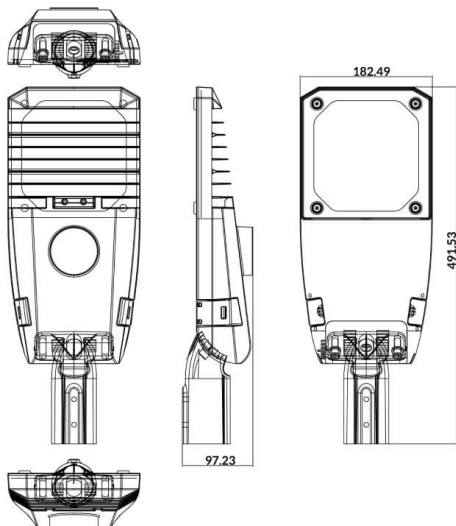
Lavov Street light from the family Voyager II with a power of 60W and an optics type T3 . CCT 4000K. With a total lumen output of 9000lm and a luminous efficiency of 150lm/W. DALI driver. Made in die cast aluminum and finished in grey color. IP66 and IK08 degree of protection.

| | |
|---------------------|--|
| Item code | 86.OS15.4433.03 |
| Product type | Outdoor |
| Category | Street lights |
| Family | Voyager II |
| Pictograms |  |

Dimensions

Product dimensions (mm) **419*182*100MM**

Scheme



| | |
|------------------------------------|--------------------------------------|
| Product | |
| Real power (W) | 60 |
| Real luminous flux (Lm) | 9000 |
| Luminous efficiency (Lm/W) | 150 |
| Beam angle (°) | T3 |
| Life time (h) | 70000h L70B10 |
| IP | 66 |
| Electrical class insulation | Class I |
| Colour | grey |
| Control gear included | yes |
| Control gear | DALI |
| Light source | LED |
| Type of LED | LUMILEDS 3030 |
| Average life time (h) | Up to 100,000hrs LM70,Ta 25°C |
| Colour temperature (K) | 4000 |
| Colour consistency (SDCM) | SDCM6 |
| CRI | >80 |
| IK | IK08 |