



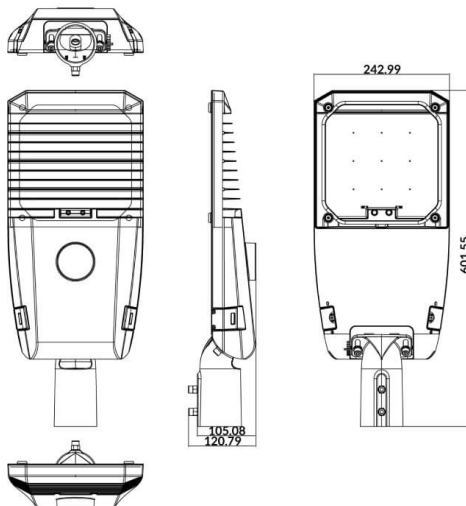
Voyager II

Lavov Street light from the family Voyager II with a power of 120W and an optics type T3 . CCT 4000K. With a total lumen output of 18000lm and a luminous efficiency of 150lm/W.DALI driver. Made in die cast aluminum and finished in grey color. IP66 and IK08 degree of protection.

Dimensions

Product dimensions (mm) **600*243*120MM**

Scheme



Item code	86.OS15.7433.03
Product type	Outdoor
Category	Street lights
Family	Voyager II
Pictograms	

Product	
Real power (W)	120
Real luminous flux (Lm)	18000
Luminous efficiency (Lm/W)	150
Beam angle (°)	T3
Life time (h)	70000h L70B10
IP	66
Electrical class insulation	Class I
Colour	grey
Control gear included	yes
Control gear	DALI
Light source	LED
Type of LED	LUMILEDS 3030
Average life time (h)	Up to 100,000hrs LM70,Ta 25°C
Colour temperature (K)	4000
Colour consistency (SDCM)	SDCM6
CRI	>80
IK	IK08