



### Voyager II

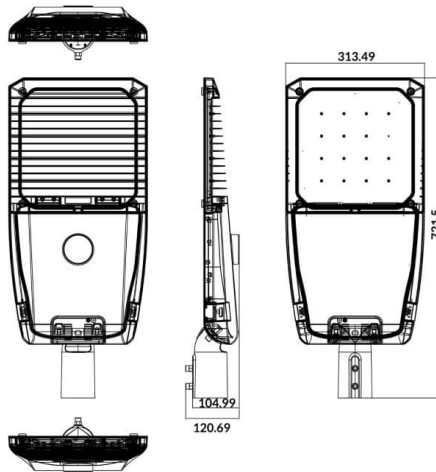
Lavov Street light from the family Voyager II with a power of 150W and an optics type T2 . CCT 4000K. With a total lumen output of 22500lm and a luminous efficiency of 150lm/W.ON-OFF driver. Made in die cast aluminum and finished in grey color. IP66 and IK08 degree of protection.

<b>Item code</b>	<b>86.OS15.9421.03</b>
<b>Product type</b>	<b>Outdoor</b>
<b>Category</b>	<b>Street lights</b>
<b>Family</b>	<b>Voyager II</b>
<b>Pictograms</b>	

### Dimensions

**Product dimensions (mm)** **721\*313\*120MM**

### Scheme



<b>Product</b>	
<b>Real power (W)</b>	<b>150</b>
<b>Real luminous flux (Lm)</b>	<b>22500</b>
<b>Luminous efficiency (Lm/W)</b>	<b>150</b>
<b>Beam angle (&amp;ordm;)</b>	<b>T2</b>
<b>Life time (h)</b>	<b>70000h L70B10</b>
<b>IP</b>	<b>66</b>
<b>Electrical class insulation</b>	<b>Class I</b>
<b>Colour</b>	<b>grey</b>
<b>Control gear included</b>	<b>yes</b>
<b>Control gear</b>	<b>ON-OFF</b>
<b>Light source</b>	<b>LED</b>
<b>Type of LED</b>	<b>LUMILEDS 3030</b>
<b>Average life time (h)</b>	<b>Up to 100,000hrs LM70,Ta 25°C</b>
<b>Colour temperature (K)</b>	<b>4000</b>
<b>Colour consistency (SDCM)</b>	<b>SDCM&lt;6</b>
<b>CRI</b>	<b>&gt;80</b>
<b>IK</b>	<b>IK08</b>