



### Voyager II

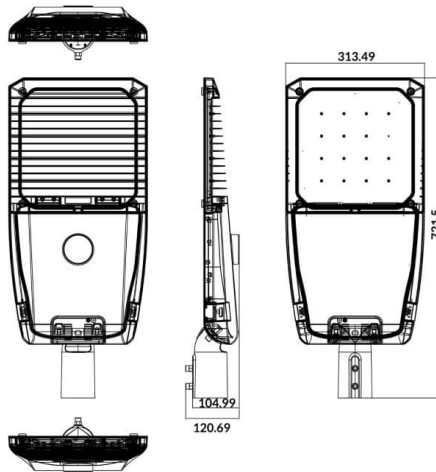
Lavov Street light from the family Voyager II with a power of 180W and an optics type T1 . CCT 4000K. With a total lumen output of 27000lm and a luminous efficiency of 150lm/W.ON-OFF driver. Made in die cast aluminum and finished in grey color. IP66 and IK08 degree of protection.

|                     |                        |
|---------------------|------------------------|
| <b>Item code</b>    | <b>86.OS15.A411.03</b> |
| <b>Product type</b> | <b>Outdoor</b>         |
| <b>Category</b>     | <b>Street lights</b>   |
| <b>Family</b>       | <b>Voyager II</b>      |
| <b>Pictograms</b>   |                        |

### Dimensions

**Product dimensions (mm)** **721\*313\*120MM**

### Scheme



|                                    |                                      |
|------------------------------------|--------------------------------------|
| <b>Product</b>                     |                                      |
| <b>Real power (W)</b>              | <b>180</b>                           |
| <b>Real luminous flux (Lm)</b>     | <b>27000</b>                         |
| <b>Luminous efficiency (Lm/W)</b>  | <b>150</b>                           |
| <b>Beam angle (°)</b>              | <b>T1</b>                            |
| <b>Life time (h)</b>               | <b>70000h L70B10</b>                 |
| <b>IP</b>                          | <b>66</b>                            |
| <b>Electrical class insulation</b> | <b>Class I</b>                       |
| <b>Colour</b>                      | <b>grey</b>                          |
| <b>Control gear included</b>       | <b>yes</b>                           |
| <b>Control gear</b>                | <b>ON-OFF</b>                        |
| <b>Light source</b>                | <b>LED</b>                           |
| <b>Type of LED</b>                 | <b>LUMILEDS 3030</b>                 |
| <b>Average life time (h)</b>       | <b>Up to 100,000hrs LM70,Ta 25°C</b> |
| <b>Colour temperature (K)</b>      | <b>4000</b>                          |
| <b>Colour consistency (SDCM)</b>   | <b>SDCM6</b>                         |
| <b>CRI</b>                         | <b>&gt;80</b>                        |
| <b>IK</b>                          | <b>IK08</b>                          |