



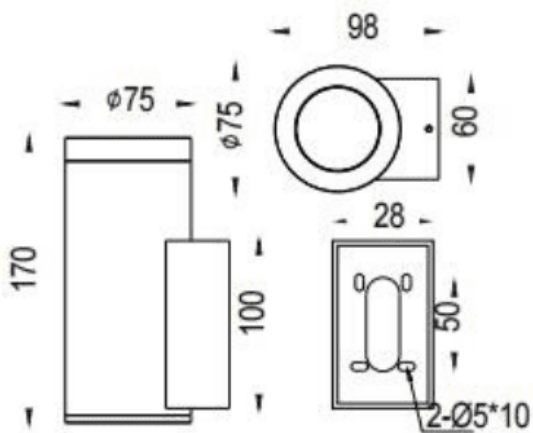
DOWNT

Lavov wall fixture from the family DOWNT with a power of 14.5W and a 12 degrees beam angle. Finished in Black colour. Dimensions $\phi 75 \times 98 \times 170 \text{mm}$. With a total lumen output of 1300lm and a luminous efficiency of 89.65lm/W. CCT 3000K. Driver DALI. Made in Die Cast Aluminium Body, Tempered Glass Cover .IP65. IK05

Dimensions

Product dimensions (mm) $\phi 75 \times 98 \times 170 \text{mm}$

Scheme



Photometry

Item code	86.OW08.3313.02
Product type	Outdoor
Category	Wall Light
Family	DOWNT
Pictograms	

Product	
Real power (W)	14.5
Real luminous flux (Lm)	1300
Luminous efficiency (Lm/W)	89.65
Beam angle (°)	12
Life time (h)	50000h L70B10
IP	IP65
Electrical class insulation	Class I
Colour	Black
Control gear included	Yes
Control gear	DALI
Light source	LED
Type of LED	COB
Colour temperature (K)	3000
Colour consistency (SDCM)	SDCM3
CRI	80
IK	IK05

