



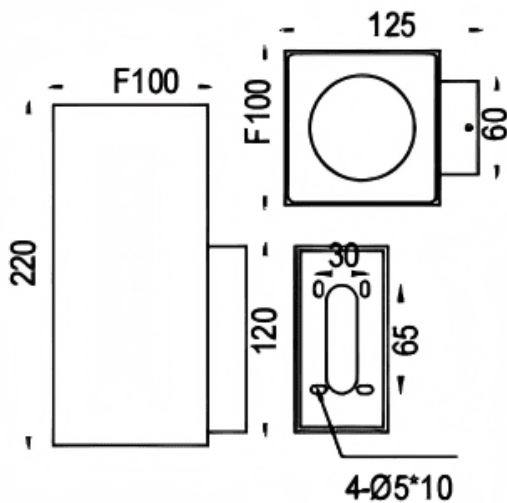
Down S

Lavov wall fixture from the family Down S with a power of 19W and a 15 degrees beam angle. Finished in grey colour. Dimensions 100x125x220mm.. With a total lumen output of 1957lm and a luminous efficiency of 103lm/W. CCT 3000K. Driver On-Off. Made in Die cast aluminium body and tempered glass front cover.
 .IP65. IK08

Dimensions

Product dimensions (mm) 100x125x220mm

Scheme



Photometry

| | |
|--------------|-----------------|
| Item code | 86.OW14.4311.03 |
| Product type | Outdoor |
| Category | Wall Light |
| Family | Down S |
| Pictograms | |

| | |
|-----------------------------|---------------|
| Product | |
| Real power (W) | 19 |
| Real luminous flux (Lm) | 1957 |
| Luminous efficiency (Lm/W) | 103 |
| Beam angle (°) | 15 |
| Life time (h) | 50000h L70B10 |
| IP | IP65 |
| Electrical class insulation | Clas I |
| Colour | grey |
| Control gear included | Yes |
| Control gear | On-Off |
| Power Factor | >0,9 |
| Flicker Free | Yes |
| Light source | LED |
| Type of LED | COB |
| Colour temperature (K) | 3000 |
| Colour consistency (SDCM) | 5SDCM |
| CRI | 80 |
| IK | IK08 |

