



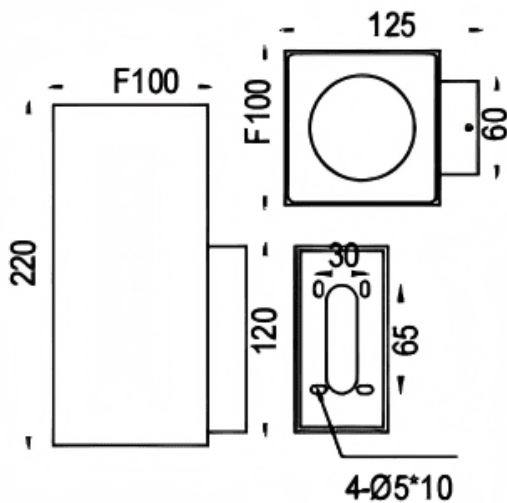
Down S

Lavov wall fixture from the family Down S with a power of 19W and a 15 degrees beam angle. Finished in grey colour. Dimensions 100x125x220mm.. With a total lumen output of 1957lm and a luminous efficiency of 103lm/W. CCT 3000K. Driver On-Off. Made in Die cast aluminium body and tempered glass front cover.
 .IP65. IK08

Dimensions

Product dimensions (mm) 100x125x220mm

Scheme



Photometry

Item code	86.OW14.4311.03
Product type	Outdoor
Category	Wall Light
Family	Down S
Pictograms	

Product	
Real power (W)	19
Real luminous flux (Lm)	1957
Luminous efficiency (Lm/W)	103
Beam angle (°)	15
Life time (h)	50000h L70B10
IP	IP65
Electrical class insulation	Clas I
Colour	grey
Control gear included	Yes
Control gear	On-Off
Power Factor	>0,9
Flicker Free	Yes
Light source	LED
Type of LED	COB
Colour temperature (K)	3000
Colour consistency (SDCM)	5SDCM
CRI	80
IK	IK08

