

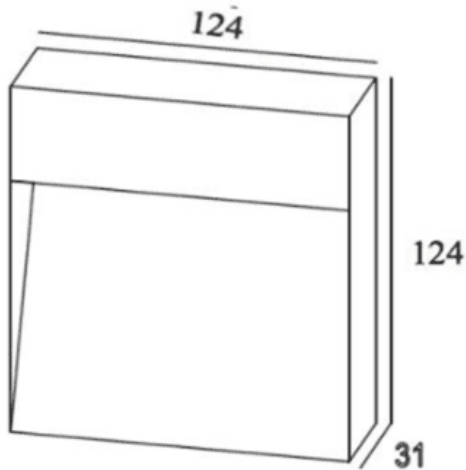
## SQUARE

Lavov wall fixture from the family SQUARE with a power of 4W and a 90 degrees beam angle. Finished in Grey colour. Dimensions 124\*124\*31mm.. With a total lumen output of 320lm and a luminous efficiency of 80lm/W. CCT 3000K. Driver On-Off. Made in Extruded aluminium body and PC diffuser .IP65. IK08

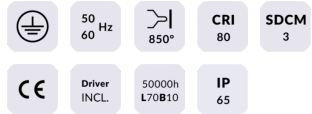
### Dimensions

Product dimensions (mm) 124\*124\*31mm

### Scheme



### Photometry

|              |   |
|--------------|---|
| Item code    | 86.OW26.1301.03   |
| Product type | Outdoor   |
| Category     | Wall Light  |
| Family       | SQUARE  |
| Pictograms   |  |

|                             |               |
|-----------------------------|---------------|
| Product                     |               |
| Real power (W)              | 4             |
| Real luminous flux (Lm)     | 320           |
| Luminous efficiency (Lm/W)  | 80            |
| Beam angle (°)              | 90            |
| Life time (h)               | 50000h L70B10 |
| IP                          | IP65          |
| Electrical class insulation | Clas I        |
| Colour                      | Grey          |
| Control gear included       | Yes           |
| Control gear                | On-Off        |
| Power Factor                | >0,9          |
| Flicker Free                | Yes           |
| Light source                | LED           |
| Type of LED                 | SMD           |
| Colour temperature (K)      | 3000          |
| Colour consistency (SDCM)   | <5SDCM        |
| CRI                         | 90            |
| IK                          | IK08          |

