



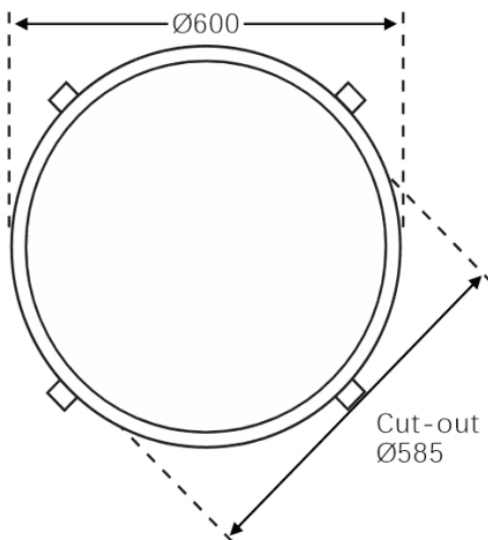
ROUND PANEL

Lavov recessed luminaire from the family ROUND PANEL with a power of 40W and a beam angle of 110°. UGR13. Finished in White colour. With a total lumen output of 4100lm and a luminous efficacy of 100lm/W. Made in Aluminum Frame + Steel body and PMMA diffuser. Driver On-Off. CCT 3000K. Dimensions ø600x20mm.

Dimensions

Product dimensions (mm) **ø600x20**

Scheme



Photometry

Item code	86.R012.1301.01
Product type	Indoor
Category	Recessed Fixtures
Family	ROUND PANEL
Pictograms	

Product	
Real power (W)	40
Real luminous flux (Lm)	4100
Luminous efficiency (Lm/W)	100
Beam angle (&ordm;)	110
Life time (h)	50000h L80B10
IP	20
Electrical class insulation	II
Colour	White
U. G. R	<13
Control gear included	Yes
Control gear	On-Off
Colour temperature (K)	3000
Colour consistency (SDCM)	SDCM<6
CRI	80

