



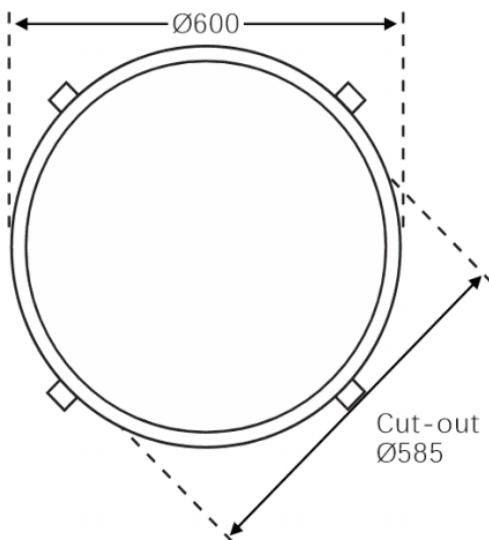
### ROUND PANEL

Lavov recessed luminaire from the family ROUND PANEL with a power of 40W and a beam angle of 110°. UGR13. Finished in White colour. With a total lumen output of 4100lm and a luminous efficacy of 100lm/W. Made in Aluminum Frame + Steel body and PMMA diffuser. Driver DALI. CCT 3000K. Dimensions  $\varnothing 600 \times 20$ mm.

#### Dimensions

Product dimensions (mm)  **$\varnothing 600 \times 20$**

#### Scheme



#### Photometry

Item code	<b>86.R012.1303.01</b>
Product type	<b>Indoor</b>
Category	<b>Recessed Fixtures</b>
Family	<b>ROUND PANEL</b>
Pictograms	

<b>Product</b>	
Real power (W)	<b>40</b>
Real luminous flux (Lm)	<b>4100</b>
Luminous efficiency (Lm/W)	<b>100</b>
Beam angle (°)	<b>110</b>
Life time (h)	<b>50000h L80B10</b>
IP	<b>20</b>
Electrical class insulation	<b>II</b>
Colour	<b>White</b>
U. G. R	<b>13</b>
Control gear included	<b>Yes</b>
Control gear	<b>DALI</b>
Light source	<b>LED</b>
Type of LED	<b>SMD</b>
Colour temperature (K)	<b>3000</b>
Colour consistency (SDCM)	<b>SDCM6</b>
CRI	<b>80</b>

