



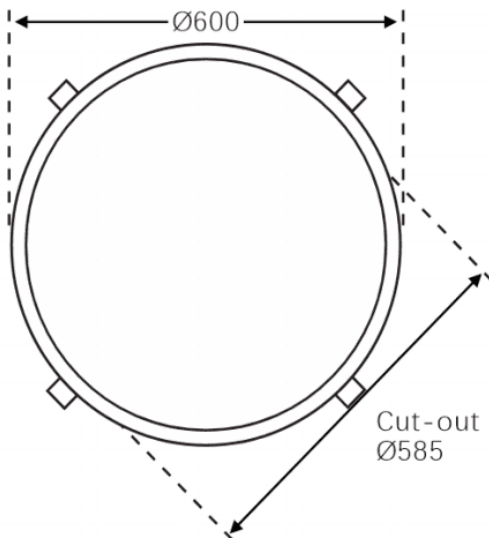
**ROUND PANEL**

Lavov recessed luminaire from the family ROUND PANEL with a power of 40W and a beam angle of 110°. UGR13. Finished in White colour. With a total lumen output of 4100lm and a luminous efficacy of 100lm/W. Made in Aluminum Frame + Steel body and PMMA diffuser. Driver On-Off. CCT 4000K. Dimensions ø600x20mm.

**Dimensions**

Product dimensions (mm) **ø600x20**

**Scheme**



**Photometry**

<b>Item code</b>	<b>86.R012.1401.01</b>
<b>Product type</b>	<b>Indoor</b>
<b>Category</b>	<b>Recessed Fixtures</b>
<b>Family</b>	<b>ROUND PANEL</b>
<b>Pictograms</b>	

<b>Product</b>	
<b>Real power (W)</b>	<b>40</b>
<b>Real luminous flux (Lm)</b>	<b>4100</b>
<b>Luminous efficiency (Lm/W)</b>	<b>100</b>
<b>Beam angle (&amp;ordm;)</b>	<b>110</b>
<b>Life time (h)</b>	<b>50000h L80B10</b>
<b>IP</b>	<b>20</b>
<b>Electrical class insulation</b>	<b>II</b>
<b>Colour</b>	<b>White</b>
<b>U. G. R</b>	<b>&lt;13</b>
<b>Control gear included</b>	<b>Yes</b>
<b>Control gear</b>	<b>On-Off</b>
<b>Colour temperature (K)</b>	<b>4000</b>
<b>Colour consistency (SDCM)</b>	<b>SDCM&lt;6</b>
<b>CRI</b>	<b>80</b>

