



E-PANEL HE

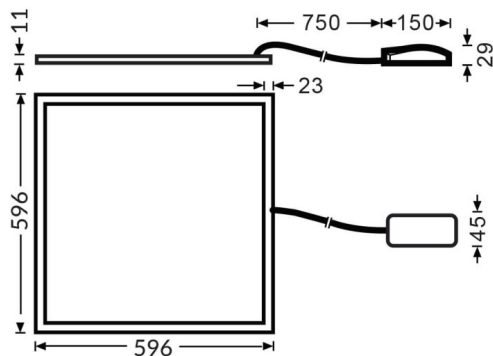
Lavov recessed luminaire from the family E-PANEL with a power of 20W and an optics 120 degrees beam angle. CCT 4000K. With a total lumen output of 3000lm and an efficacy of 150lm/W . Made in Aluminum Frame + Steel and finished in White color. Dimmensions 596x596x11. DALI driver.

| | |
|---------------------|--------------------------|
| Item code | 86.R091.1403.01 |
| Product type | Indoor |
| Category | Recessed Fixtures |
| Family | E-PANEL |
| Subfamily | E-PANEL HE |
| Pictograms | |

Dimensions

Product dimensions (mm) **596x596x11**

Scheme



| | |
|-----------------------------------|----------------------|
| Product | |
| Real power (W) | 20 |
| Real luminous flux (Lm) | 3000 |
| Luminous efficiency (Lm/W) | 150 |
| Beam angle (°) | 120 |
| Life time (h) | 50000h L80B10 |
| IP | 20 / 40 |
| Colour | White |
| Chip Brand | Seoul |
| Control gear included | Yes |
| Control gear | DALI |
| Light source | LED |
| Type of LED | SMD |
| Colour temperature (K) | 4000 |
| Colour consistency (SDCM) | SDCM3 |
| CRI | 80 |