



**E-PANEL HE**

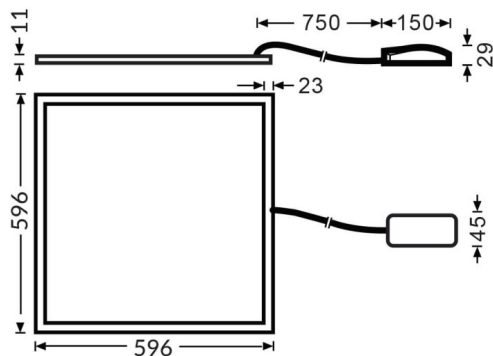
Lavov recessed luminaire from the family E-PANEL with a power of 20W and an optics 86,1 degrees beam angle. CCT 4000K. With a total lumen output of 3000lm and an efficacy of 150lm/W . Made in Aluminum Frame + Steel and finished in White color. Dimmensions 596x596x11. On-Off driver.

<b>Item code</b>	<b>86.R091.1491.01</b>
<b>Product type</b>	<b>Indoor</b>
<b>Category</b>	<b>Recessed Fixtures</b>
<b>Family</b>	<b>E-PANEL</b>
<b>Subfamily</b>	<b>E-PANEL HE</b>
<b>Pictograms</b>	

**Dimensions**

**Product dimensions (mm)** **596x596x11**

**Scheme**



<b>Product</b>	
<b>Real power (W)</b>	<b>20</b>
<b>Real luminous flux (Lm)</b>	<b>3000</b>
<b>Luminous efficiency (Lm/W)</b>	<b>150</b>
<b>Beam angle (°)</b>	<b>86.1</b>
<b>Life time (h)</b>	<b>50000h L80B10</b>
<b>IP</b>	<b>20 / 40</b>
<b>Colour</b>	<b>White</b>
<b>U. G. R</b>	<b>19</b>
<b>Chip Brand</b>	<b>Seoul</b>
<b>Control gear included</b>	<b>Yes</b>
<b>Control gear</b>	<b>On-Off</b>
<b>Light source</b>	<b>LED</b>
<b>Type of LED</b>	<b>SMD</b>
<b>Colour temperature (K)</b>	<b>4000</b>
<b>Colour consistency (SDCM)</b>	<b>SDCM3</b>
<b>CRI</b>	<b>80</b>