



E-PANEL HE

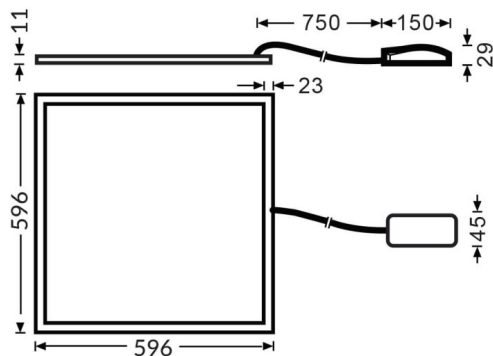
Lavov recessed luminaire from the family E-PANEL with a power of 20W and an optics 86,1 degrees beam angle. CCT 4000K. With a total lumen output of 3000lm and an efficacy of 150lm/W . Made in Aluminum Frame + Steel and finished in White color. Dimmensions 596x596x11. DALI driver.

Item code	86.R091.1493.01
Product type	Indoor
Category	Recessed Fixtures
Family	E-PANEL
Subfamily	E-PANEL HE
Pictograms	

Dimensions

Product dimensions (mm) **596x596x11**

Scheme



Product	
Real power (W)	20
Real luminous flux (Lm)	3000
Luminous efficiency (Lm/W)	150
Beam angle (°)	86.1
Life time (h)	50000h L80B10
IP	20 / 40
Colour	White
U. G. R	19
Chip Brand	Seoul
Control gear included	Yes
Control gear	DALI
Light source	LED
Type of LED	SMD
Colour temperature (K)	4000
Colour consistency (SDCM)	SDCM3
CRI	80