

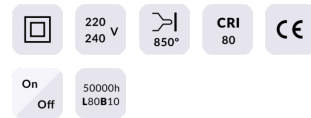


### Duo

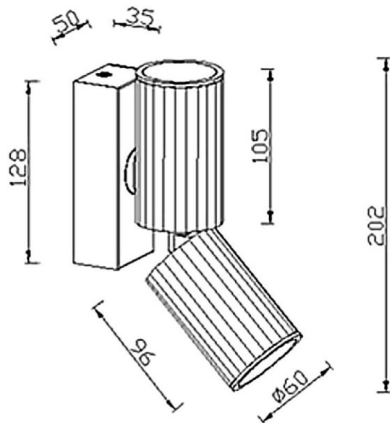
Lavov reading light from the family Duo with a power of 2\*12W and a beam angle of 24°. With a real lumen output of 2400lm and an efficiency of 100lm/W. Made in Die cast aluminium and finished in black color.ON-OFF driver.

<b>Item code</b>	<b>86.RL02.1311.02</b>
<b>Product type</b>	<b>Indoor</b>
<b>Category</b>	<b>Wall Fixtures &amp; Reading lights</b>
<b>Family</b>	<b>Duo</b>

### Pictograms



### Scheme



<b>Product</b>	
<b>Real power (W)</b>	<b>2*12</b>
<b>Real luminous flux (Lm)</b>	<b>2400</b>
<b>Luminous efficiency (Lm/W)</b>	<b>100</b>
<b>Beam angle (&amp;ordm;)</b>	<b>24°</b>
<b>IP</b>	<b>65</b>
<b>Colour</b>	<b>black</b>
<b>Control gear included</b>	<b>yes</b>
<b>Control gear</b>	<b>ON-OFF</b>
<b>Flicker Free</b>	<b>Yes</b>
<b>Colour temperature (K)</b>	<b>3000K</b>
<b>Colour consistency (SDCM)</b>	<b>&lt;3</b>
<b>CRI</b>	<b>&gt;80</b>