

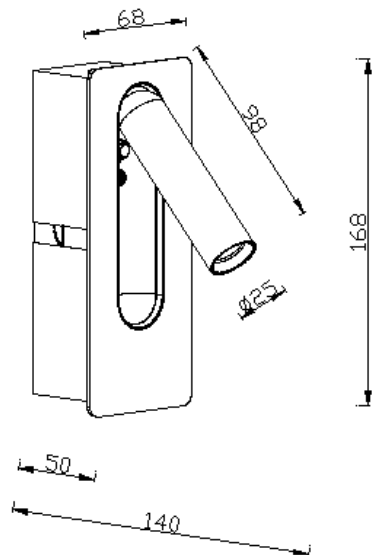


Integral

Lavov Reading lamp fixture from the family Integral with a power of 3W and an optics 36 degrees . CCT 3000K. With a total lumen output of 240 lm and a luminous efficiency of 100lm/W. ON-OFF driver. Made in die cast aluminum and finished in white color.

Item code	86.RL04.1321.01
Product type	Indoor
Category	Wall Fixtures & Reading lights
Family	Integral
Pictograms	

Scheme



Product	
Real power (W)	3
Real luminous flux (Lm)	240
Luminous efficiency (Lm/W)	100
Beam angle (&ordm;)	36
IP	20
Colour	white
Control gear included	Yes
Control gear	ON-OFF
Flicker Free	Yes
Colour temperature (K)	3000
Colour consistency (SDCM)	<3
CRI	>80