

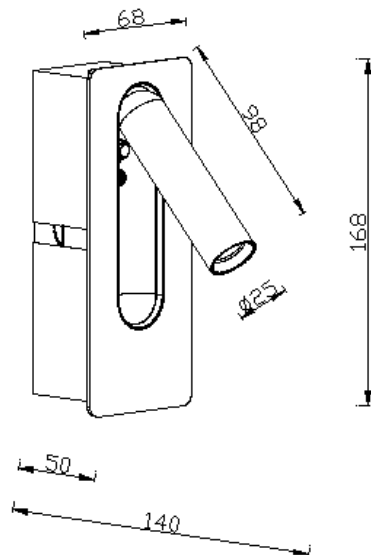


Integral

Lavov Reading lamp fixture from the family Integral with a power of 3W and an optics 36 degrees . CCT 3000K. With a total lumen output of 240 lm and a luminous efficiency of 100lm/W. ON-OFF driver. Made in die cast aluminum and finished in black color.

| | |
|---------------------|---|
| Item code | 86.RL04.1321.02 |
| Product type | Indoor |
| Category | Wall Fixtures & Reading lights |
| Family | Integral |
| Pictograms | |

Scheme



| | |
|-----------------------------------|---------------|
| Product | |
| Real power (W) | 3 |
| Real luminous flux (Lm) | 240 |
| Luminous efficiency (Lm/W) | 100 |
| Beam angle (°) | 36 |
| IP | 20 |
| Colour | black |
| Control gear included | Yes |
| Control gear | ON-OFF |
| Flicker Free | Yes |
| Light source | LED |
| Type of LED | COB |
| Colour temperature (K) | 3000 |
| Colour consistency (SDCM) | 3 |
| CRI | >80 |