



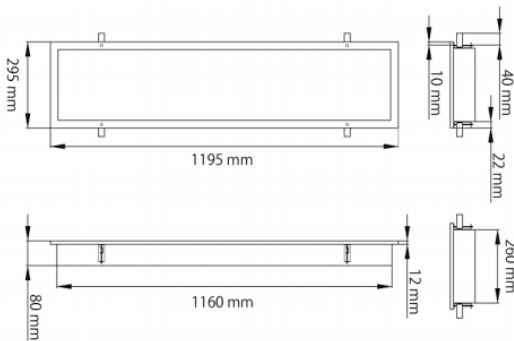
**B-PANEL Smart**

Lavov recessed fixture from the family CLEAN-PANEL with a power of 40W and an optics 90 degrees and UGR<19 . CCT N/AK. With a total lumen output of 4800lm and a luminous efficiency of 120lm/W.WIRELESS TUNABLE WHITE driver. Made in iron sheet powder coated and finished in White color. IP65 degree of protection.

**Dimensions**

**Product dimensions (mm)** **1195\*295\*80**

**Scheme**



<b>Item code</b>	<b>86.RST8.2009.01</b>
<b>Product type</b>	<b>Indoor</b>
<b>Category</b>	<b>Recessed Fixtures</b>
<b>Family</b>	<b>B-PANEL</b>
<b>Subfamily</b>	<b>B-PANEL Smart</b>
<b>Pictograms</b>	

<b>Product</b>	
<b>Real power (W)</b>	<b>40</b>
<b>Real luminous flux (Lm)</b>	<b>4800</b>
<b>Luminous efficiency (Lm/W)</b>	<b>120</b>
<b>Beam angle (°)</b>	<b>90</b>
<b>Life time (h)</b>	<b>50000h L80B10</b>
<b>IP</b>	<b>65</b>
<b>Colour</b>	<b>White</b>
<b>U. G. R</b>	<b>19</b>
<b>Chip Brand</b>	<b>Seoul</b>
<b>Control gear included</b>	<b>Yes</b>
<b>Control gear</b>	<b>WIRELESS TUNABLE WHITE</b>
<b>Light source</b>	<b>LED</b>
<b>Type of LED</b>	<b>SMD</b>
<b>Colour temperature (K)</b>	<b>tunable</b>
<b>Colour consistency (SDCM)</b>	<b>SDCM3</b>
<b>CRI</b>	<b>80</b>