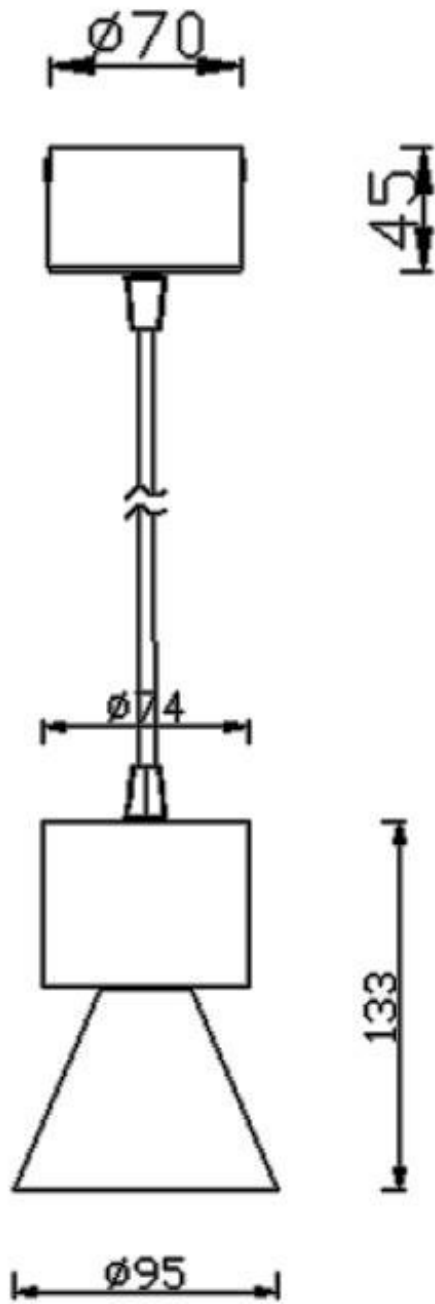
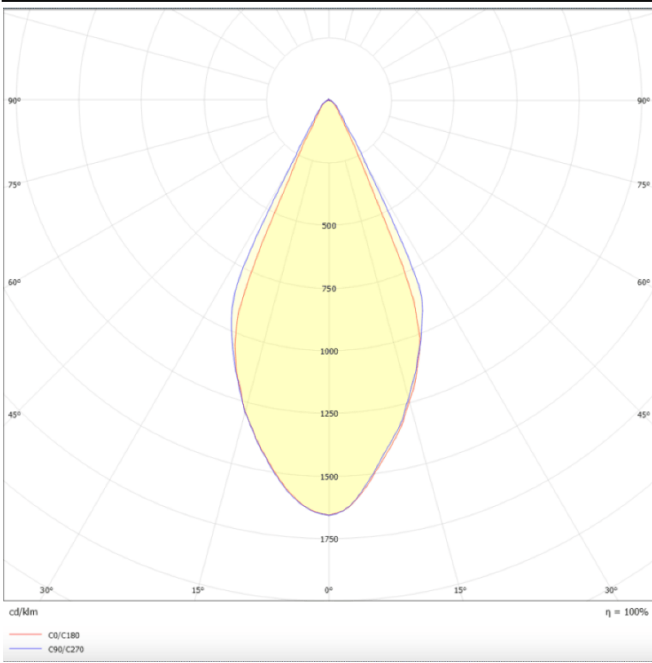




Scheme



Photometry



BELL

Lavov suspended luminaire from the family with a power of 10W and an optics of 50 degrees, made in Die Cast Aluminum with a real lumen output of 900lm and an efficiency of 90lm/W.ON-OFF driver.

Item code	86.S002.1331.01
Product type	Indoor
Category	Pendants
Family	BELL

Pictograms



Product	
Real power (W)	10
Real luminous flux (Lm)	900
Luminous efficiency (Lm/W)	90
Beam angle (°)	50
Life time (h)	50000h L80B10
IP	20
Colour	White
Chip Brand	Philip
Control gear included	Yes
Control gear	ON-OFF
Colour temperature (K)	3000
Colour consistency (SDCM)	SDCM<3
CRI	80