



**BELL**

Lavov suspended luminaire from the family with a power of 30W and an optics of 24 degrees, made in Die Cast Aluminum with a real lumen output of 2700lm and an efficiency of 90lm/W.ON-OFF driver.

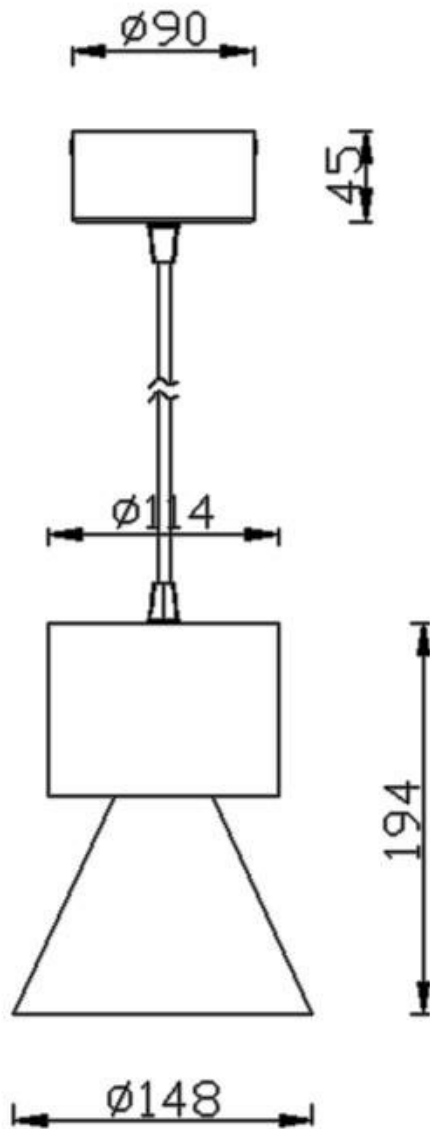
<b>Item code</b>	<b>86.S002.3421.02</b>
<b>Product type</b>	<b>Indoor</b>
<b>Category</b>	<b>Pendants</b>
<b>Family</b>	<b>BELL</b>

**Pictograms**



**Scheme**

<b>Product</b>	
<b>Real power (W)</b>	<b>30</b>
<b>Real luminous flux (Lm)</b>	<b>2700</b>
<b>Luminous efficiency (Lm/W)</b>	<b>90</b>
<b>Beam angle (&amp;ordm;)</b>	<b>24</b>
<b>Life time (h)</b>	<b>50000h L80B10</b>
<b>IP</b>	<b>20</b>
<b>Colour</b>	<b>Black</b>
<b>Chip Brand</b>	<b>Philip</b>
<b>Control gear included</b>	<b>Yes</b>
<b>Control gear</b>	<b>ON-OFF</b>
<b>Light source</b>	<b>LED</b>
<b>Type of LED</b>	<b>COB</b>
<b>Colour temperature (K)</b>	<b>4000</b>
<b>Colour consistency (SDCM)</b>	<b>SDCM&lt;3</b>
<b>CRI</b>	<b>80</b>



**Photometry**

